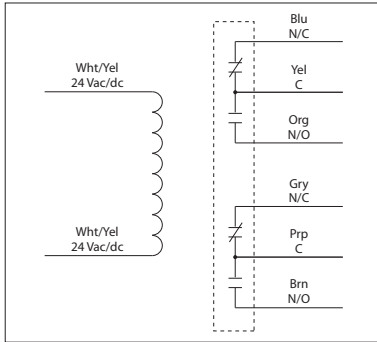


30 AMP POWER CONTROL RELAY

RIB24P30

Enclosed Relay 30 Amp DPDT with 24 Vac/dc Coil



SPECIFICATIONS

- # Relays & Contact Type:** One (1) DPDT Continuous Duty Coil
- Expected Relay Life:** 10 million cycles minimum mechanical
- Operating Temperature:** -30 to 140° F
- Humidity Range:** 5 to 95% (noncondensing)
- Operate Time:** 18ms
- Relay Status:** LED On = Activated
- Dimensions:** 2.30" x 3.20" x 1.80" with .75" NPT Nipple
- Wires:** 16", 600V Rated
- Approvals:** UL Listed, UL916, UL864, UL60947, C-UL California State Fire Marshal, CE, RoHS
- Housing Rating:** UL Accepted for Use in Plenum, NEMA 1
- Gold Flash:** Yes
- Override Switch:** No

- Contact Ratings:**
 - 30 Amp Resistive @ 300 Vac
 - 25 Amp Resistive @ 28 Vdc
 - 20 Amp Ballast @ 277-480 Vac
 - Not rated for Electronic Ballast*
 - 15 Amp Resistive @ 600 Vac
 - 770 VA Pilot Duty @ 120 Vac
 - 1158 VA Pilot Duty @ 240 Vac
 - 1110 VA Pilot Duty @ 277 Vac
 - 1640 VA Pilot Duty @ 480 Vac
 - Heavy Pilot Duty @ 600 Vac
 - 3 HP @ 480-600 Vac
 - 2 HP @ 240-277 Vac
 - 1 HP @ 120 Vac

- Coil Current:**
 - 110 mA @ 20 Vac
 - 138 mA @ 24 Vac
 - 55 mA @ 20 Vdc
 - 55 mA @ 24 Vdc
 - 77 mA @ 30 Vdc

- Coil Voltage Input:**
 - 24 Vac/dc ; 50-60 Hz
 - Drop Out = 3 Vac / 3.8 Vdc
 - Pull In = 20 Vac / 20 Vdc